



# TECHNICAL SHEET

## AUTOTROL

### AUTOMATIC FILTER VALVE 368FA





## AUTOTROL AUTOMATIC FILTER VALVE 368FA



### TECHNICAL CHARACTERISTICS

- High flow rates for filter application
- Compact, low-profile solution
- Automatic regeneration
- User-friendly programming: 3 buttons input
- Programmable regeneration interval
- Programmable backwash time
- External drain line flow controls

### ACCESSORIES/OPTIONS

- Auxiliary switch kit
- Remote regeneration kit

## TECHNICAL SPECIFICATIONS

### VALVE SPECIFICATIONS

Valve body	Glass-filled Noryl®
Rubber components	Compounded for cold water
Valve color	Black
Operating pressure	1.38-8.61 bar (20-125 psi)
Ambient temperature*	2-50°C (35-122°F)
Water temperature	2-38°C (35-100°F)
Electrical rating	12V - 50 or 60 Hz

\*Recommended for indoor use only

### FLOW RATE (3.5 bar inlet - valve alone)

Service ( $\Delta p = 1.3$ bar drop)	4.8 m <sup>3</sup> /h (21 gpm)
Backwash ( $\Delta p = 1.3$ bar drop)	4.3 m <sup>3</sup> /h (19 gpm)
Fast rinse	1.15 m <sup>3</sup> /h (5 gpm)



## VALVE CONNECTIONS

Tank thread	2½ inches - 8 male
Inlet/outlet thread	1 inch BSPT, male
Drain line	1 inch BSPT, male
Distributor tube diameter	27 mm (1.050 inch)
Distributor tube length	Flush to top of tank ± 13 mm (½ inch)

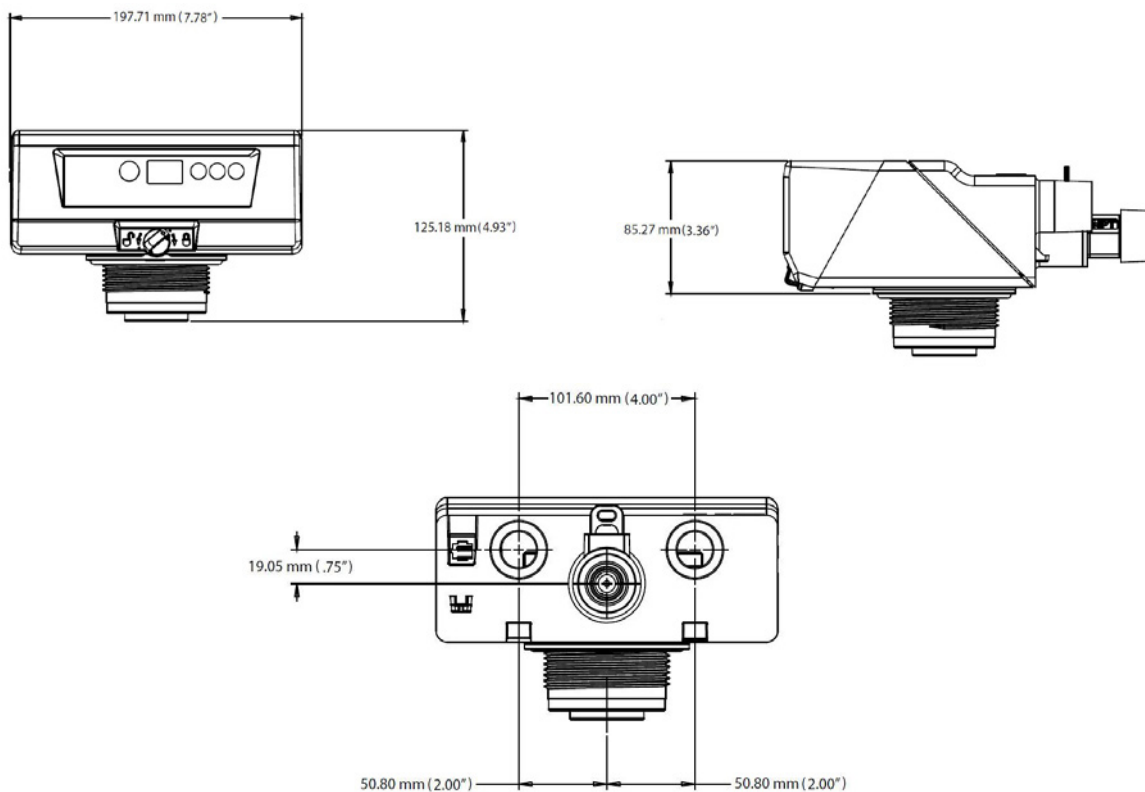
## TANK SIZE APPLICATION (recommended)

Filter	6 - 14 inches (according to filter media specs)
--------	---

## ADDITIONAL INFORMATION

Cycle Steps	Service, backwash, fast rinse
Service Capabilities	Removable cam, flapper access
DLFC (Drain Line Flow Control)	4 - 20 gpm

## DIMENSIONS



## Contact us:

### By mail

---

#### Commercial support

[commercial.prfemea@pentair.com](mailto:commercial.prfemea@pentair.com)

#### Technical support

[techsupport.water@pentair.com](mailto:techsupport.water@pentair.com)

#### Marketing support

[marketing.prfemea@pentair.com](mailto:marketing.prfemea@pentair.com)

### By phone

---

Tel. +41 21 623 69 69