



TECHNICAL SHEET

FLECK

9100 TWIN SERIE





FLECK TWIN SERIE - 9100



TECHNICAL CHARACTERISTICS

- Continuous soft water provision with only one tank in use, other being in regeneration or stand-by
- Regeneration with softened water
- body in PPO, corrosion-proof
- Fast connection of the second tank, with connecting pipes in PVC delivered with the
- Optional : upflow regeneration

OPERATING SPECIFICATIONS

SPECIFICATIONS

Material	PPO*
Hydrostatic pressure	20 bar
Working pressure	1.8 - 8.5 bar
Working temperature	1 - 43 °C
Electrical rating	24 V / 50 or 60 Hz, other upon request
Protection index	IP 22
Certificates	2004/108/CE, Electromagnetic compatibility 2006/95/CE, Low voltage D.M. 174/04, Italian norm

*PPO: Polyphenylene oxide

FLOW RATE (3.5 BAR INLET - ALONE)

	¾ inch	1 inch
Continuous ($\Delta p = 1$ bar)	4 m ³ /h	4.5 m ³ /h
Peak ($\Delta p = 1.8$ bar)	5.4 m ³ /h	5.9 m ³ /h
Cv*	4.8 gpm	5.2 gpm
Maximum backwash ($\Delta p = 1.8$ bar)	1.9 m ³ /h	1.9 m ³ /h

* Cv: Flow rate of alone in gpm at 0.07 bar pressure drop.

DOWN FLOW REGENERATION

	Mechanical	Electronic
Cycles	Adjustable	Adjustable
Time available	164 min	199 min each cycle

CONNECTIONS

Inlet / outlet	¾ or 1 inch BSP
Distributor tube	26.7 mm (1 inch)
Drain line	½ inch
Brine line 1600	¾ inch
Mounting base	4 inches - 8 NPSM
Height (from top of tank)	185 mm
Tank size application (recommended)	
Water softener	6 - 16 inches (150 - 400 mm)

METER

	¾ inch	1 inch
Accuracy range (± 5%)	1 - 57 Lpm	2.6 - 151 Lpm
Standard capacity range	0.5 - 8 m³	1 - 20 m³
Extended capacity range	2.5 - 40 m³	5 - 100 m³

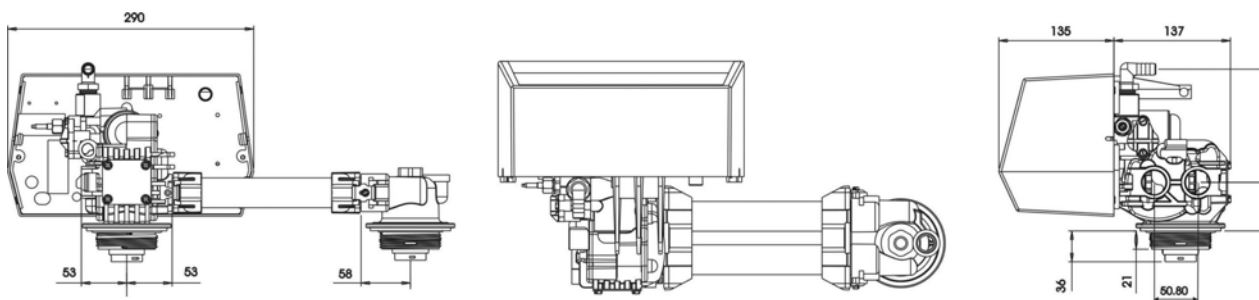
REGENERATION CYCLES

Upflow	Down flow
1) Brine and slow rinse (Upflow)	1) Backwash (Upflow)
2) Backwash (Upflow)	2) Brine and slow rinse (Down flow)
3) Rapid rinse (Down flow)	3) Rapid rinse (Down flow)
4) Brine tank refill	4) Brine tank refill
5) Service	5) Service

OPTIONS

Regeneration :	Upflow
Electronic :	ET, SXT
Mixing :	Yes
By-pass :	¾ inch

DIMENSIONS



Contact us:

By mail

Commercial support

commercial.prfemea@pentair.com

Technical support

techsupport.water@pentair.com

Marketing support

marketing.prfemea@pentair.com

By phone

Tel. +41 21 623 69 69