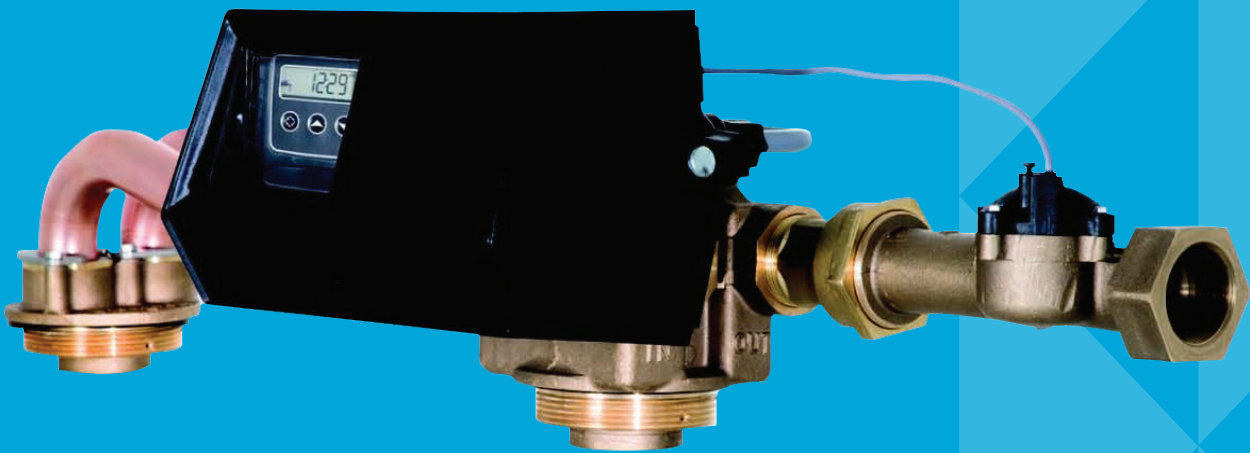




TECHNICAL SHEET

FLECK
TWIN SERIE 9500





FLECK TWIN SERIE - 9500



TECHNICAL CHARACTERISTICS

- Continuous soft water provision, with one tank in use, the second being in regeneration or stand-by
- Regeneration with softened water
- body in brass (allows the use of hot water (up to 65°C))
- Adjustable cycles
- Fast connection of the second tank (to be ordered separately)

OPERATING SPECIFICATIONS

SPECIFICATION

Material	Brass
Hydrostatic pressure	20 bar
Working pressure	1.8 - 8.5 bar
Working temperature	1 - 43 °C
Electrical rating	24 V / 50 or 60 Hz, other upon request
Protection index	IP 22
Certificates	2004/108/CE, Electromagnetic compatibility 2006/95/CE, Low voltage D.M. 174/04, Italian norm

FLOW RATE (3.5 BAR INLET - ALONE)

	1 ½ inch
Continuous ($\Delta p = 1$ bar)	8.4 m ³ /h
Peak ($\Delta p = 1.8$ bar)	11.2 m ³ /h
Cv*	9.8 gpm
Maximum backwash ($\Delta p = 1.8$ bar)	3.3 m ³ /h

* Cv: Flow rate of alone in gpm at 0.07 bar pressure drop.

DOWN FLOW REGENERATION

	Mechanical	Electronic
Cycles	Adjustable	Adjustable
Time available	164 min	199 min each cycle

CONNECTIONS

Inlet / outlet	1 ½ inch BSP
Distributor tube	50 mm (DN40)
Drain line	1 inch NPT
Brine line 1600	¾ inch
Brine line 1710	1 inch
Mounting base - Top	4 inches - 8 NPSM
Height (from top of tank)	185 mm
Tank size application (recommended)	
Water softener	6 - 16 inches (150 - 400 mm)

METER

	Mechanical
Accuracy range (± 5%)	5 - 283 Lpm
Standard capacity range	2.4 - 40 m ³
Extended capacity range	12 - 200 m ³

REGENERATION CYCLES

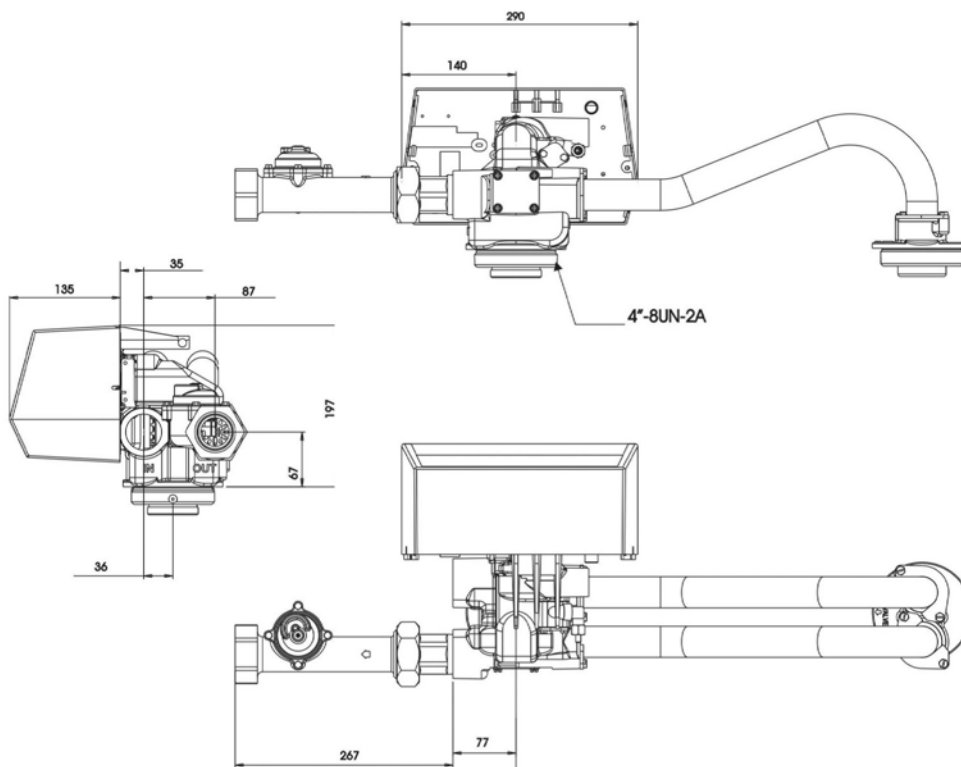
Down flow

- 1) Backwash (Upflow)
- 2) Brine & slow rinse (Down flow)
- 3) Rapid rinse (Down flow)
- 4) Brine tank refill
- 5) Service

OPTIONS

Electronic	ET, SXT
Hot water (only mechanical)	65°C

DIMENSIONS



Contact us:

By mail

Commercial support

commercial.prfemea@pentair.com

Technical support

techsupport.water@pentair.com

Marketing support

marketing.prfemea@pentair.com

By phone

Tel. +41 21 623 69 69